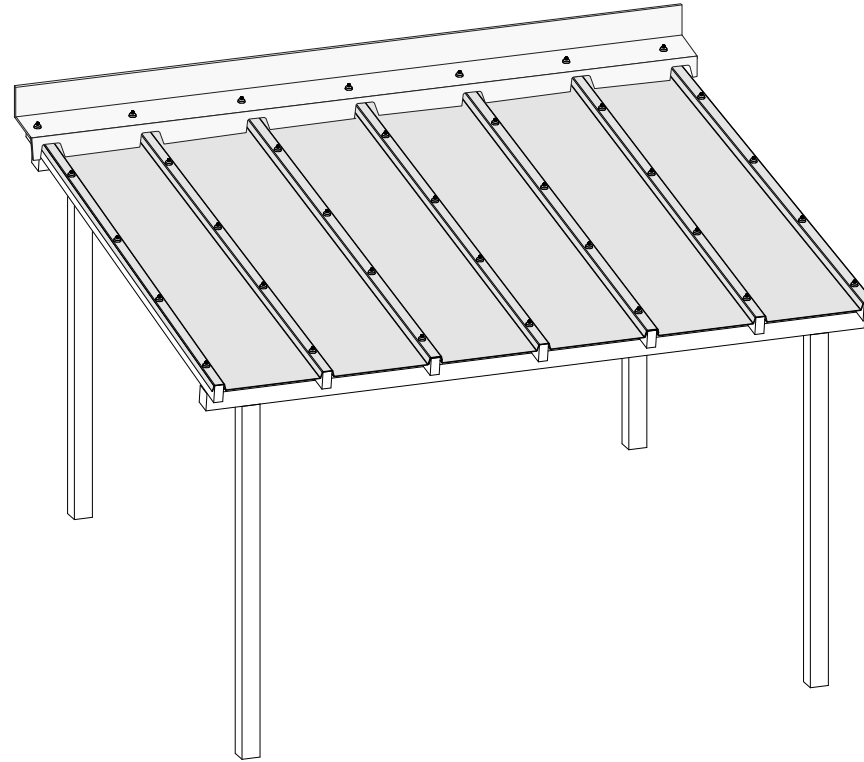




EZ Glaze™ | Installation Guide



Easy to install



Rafter installation



Glass appearance



Clear & elegant



UV resistance



Premium solution



EZ Glaze™ - Product page



Installation video

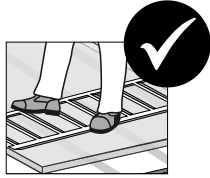
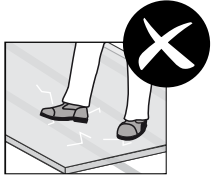
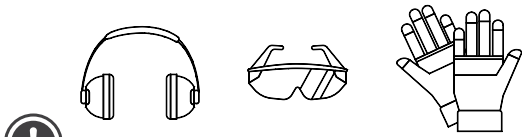


PALRAM website



Before Installation

Recommended safety equipment



Do not step directly on the sheets between the rafters!
When installing EZ Glaze or doing maintenance work, always use ladders or crawl boards, supported by minimum three roof structural elements.

Required tools

Drill



Electric screwdriver



Ladder



Jigsaw or circular saw



Measuring tape

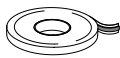


Accessories

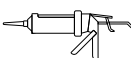
Foam tape



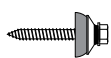
Butyl sealing tape



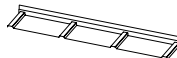
Silicone sealer



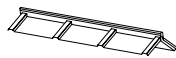
Wood screw with 25mm EPDM washer



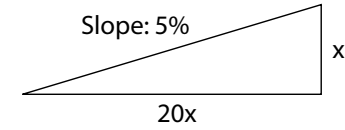
Headwall flashing



Ridge cap



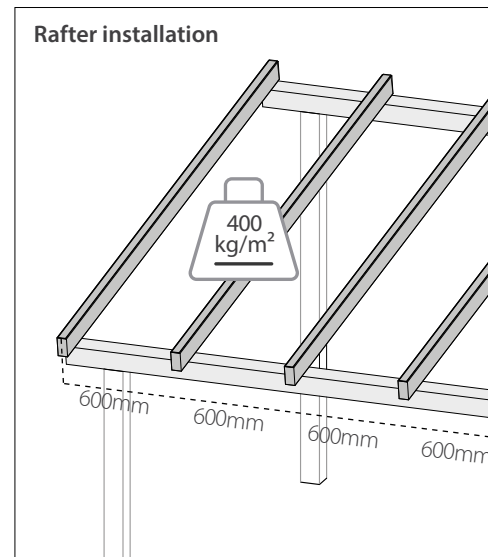
Minimum roof slope



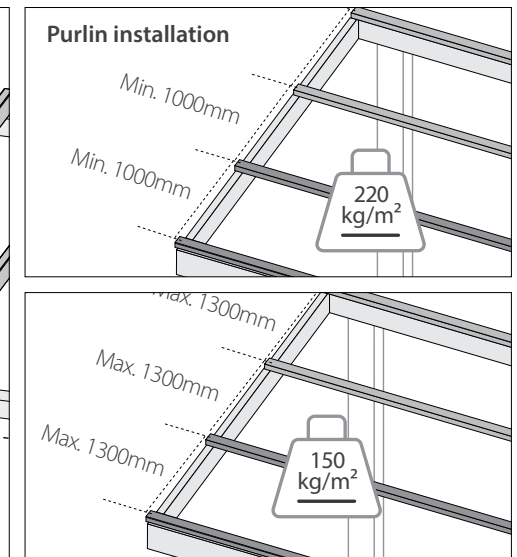
Profile range	Profile	Rafter width	Profile Dimension
	EZ Glaze 50	40-50mm	
EZ Glaze 60	50-60mm		

Installation method

Rafter installation

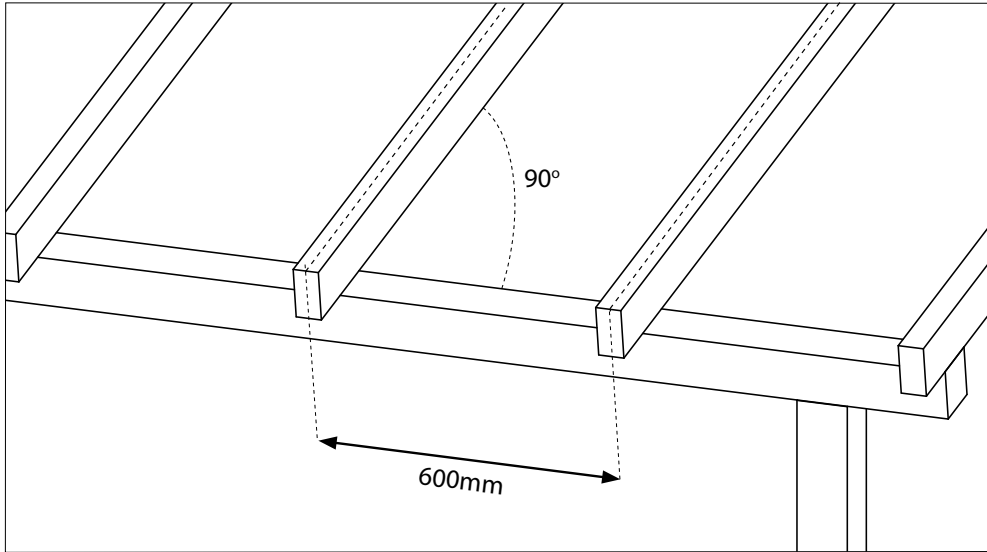


Purlin installation

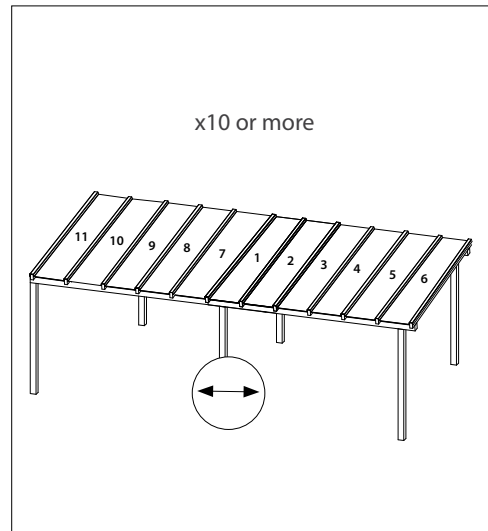
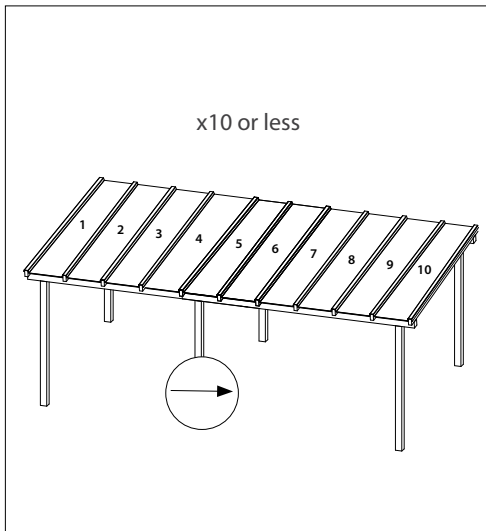


Before Installation

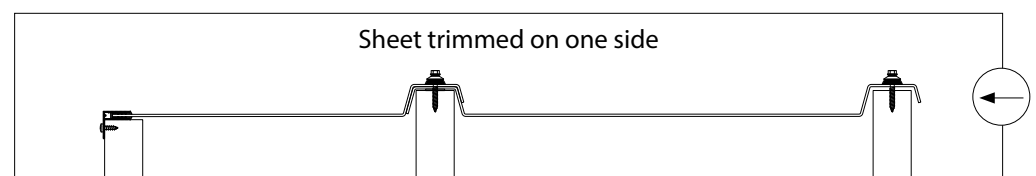
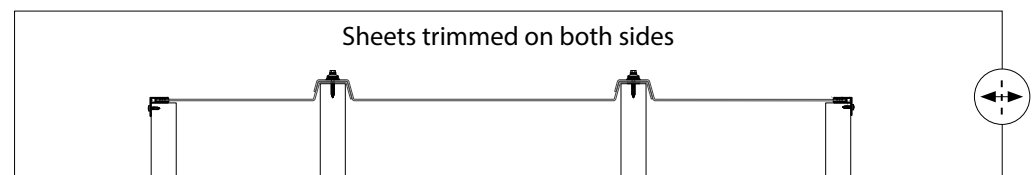
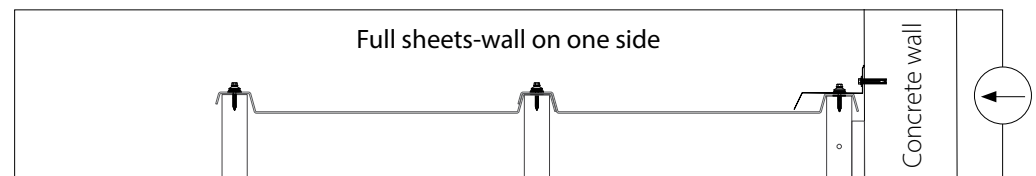
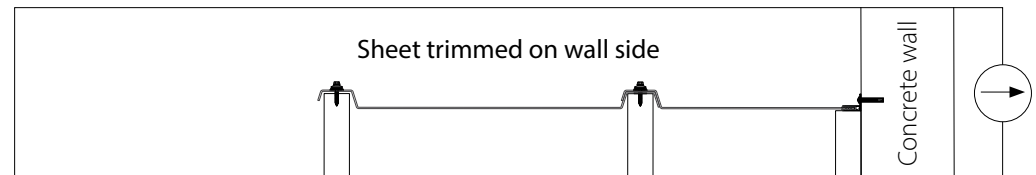
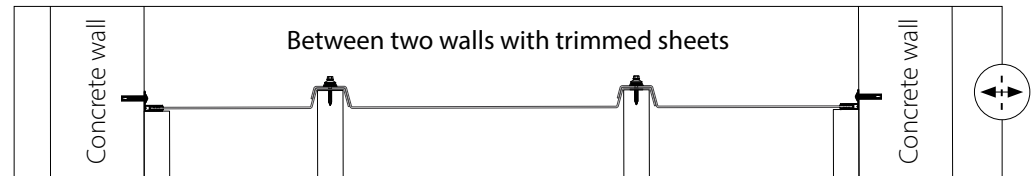
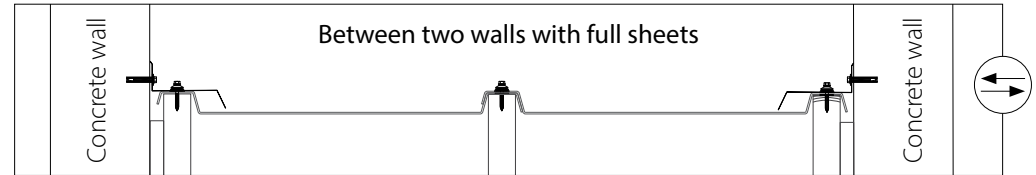
Rafter spacing



Installation direction recommendation

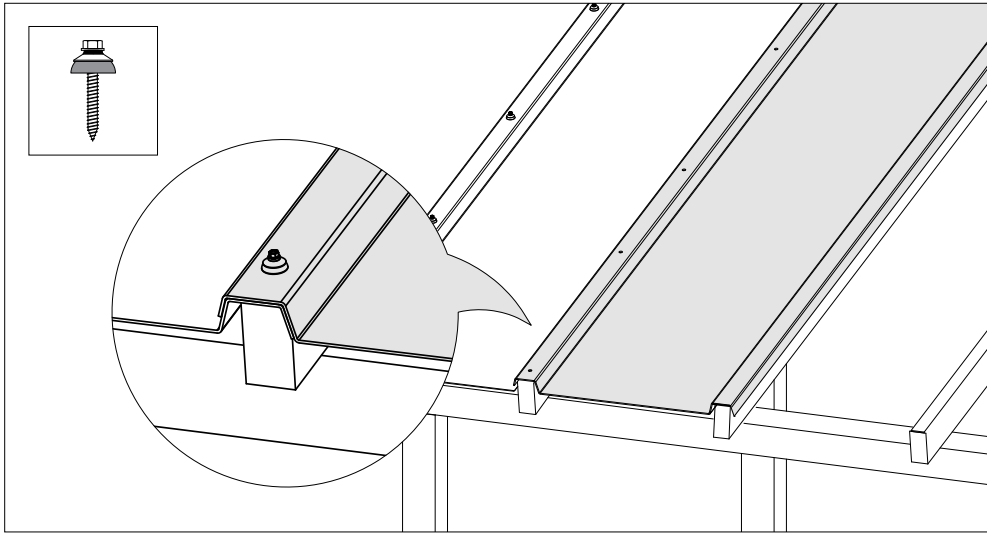


Installation variation and directions

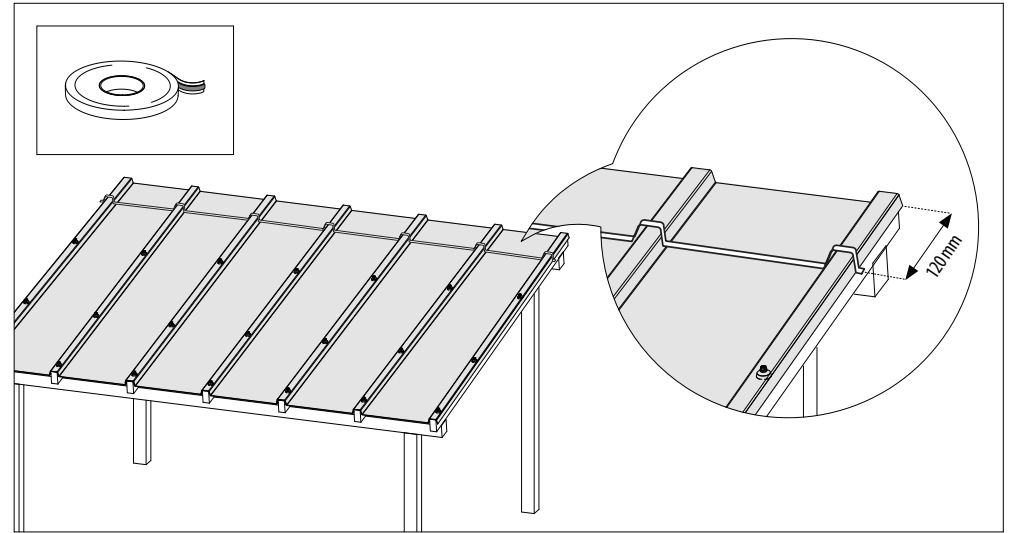


Installation

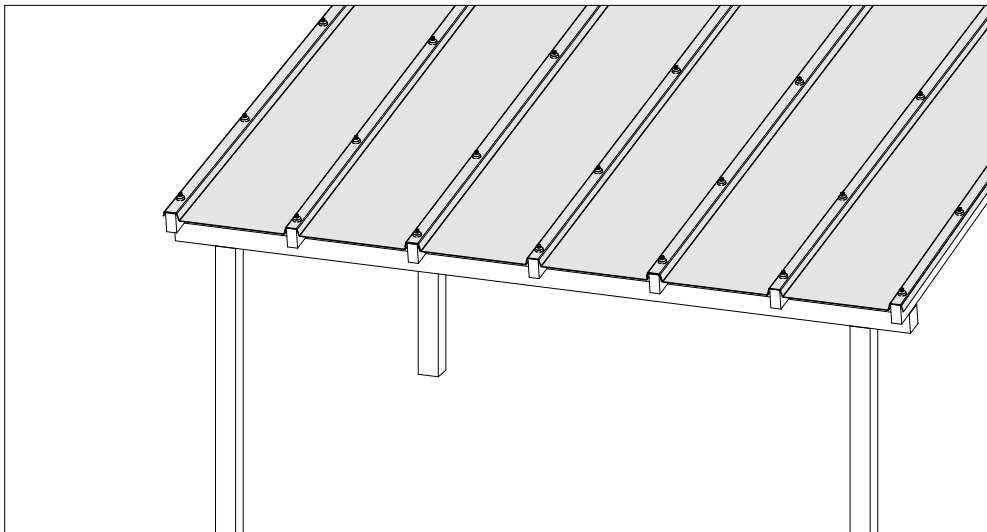
5 Fixing the second EZ Glaze panel



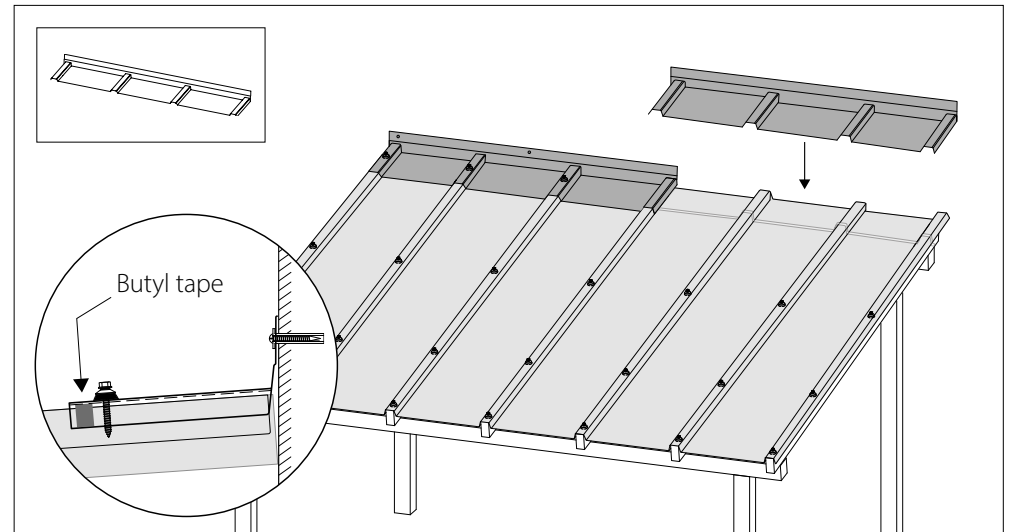
7 Applying butyl tape



6 Repeat stages 4-5 until the pergola is fully covered

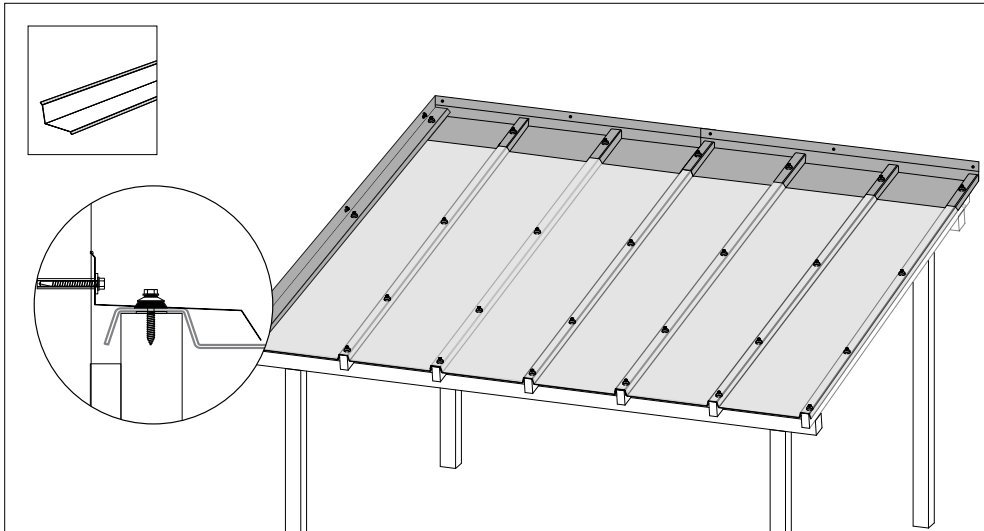


8 Installing head wall flashing (purchased separately)

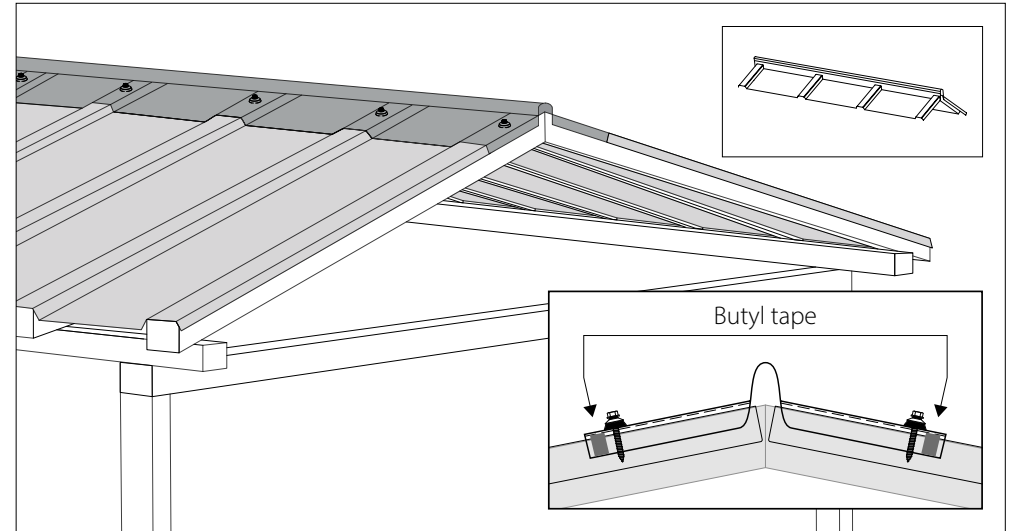


Installation - Finishing Accessories

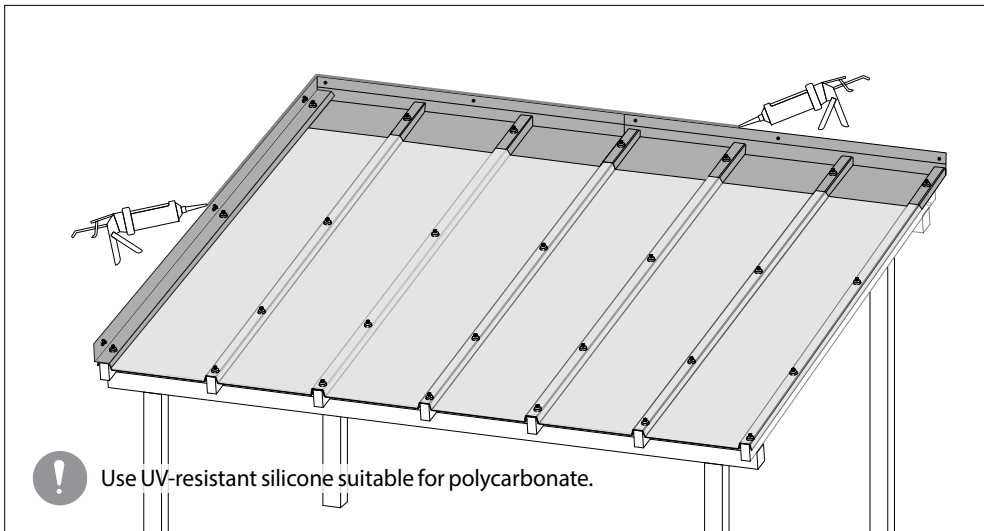
9 Installing side wall flashing (purchased separately)



11 Installing ridge cap (purchased separately)



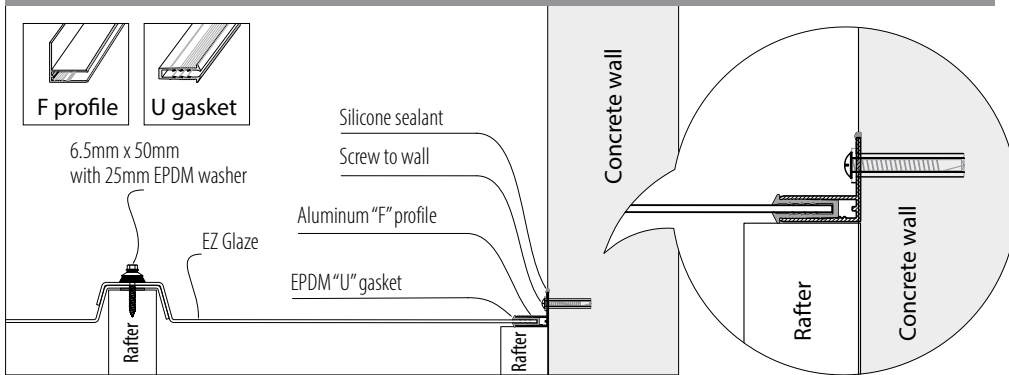
10 Applying silicone (purchased separately)



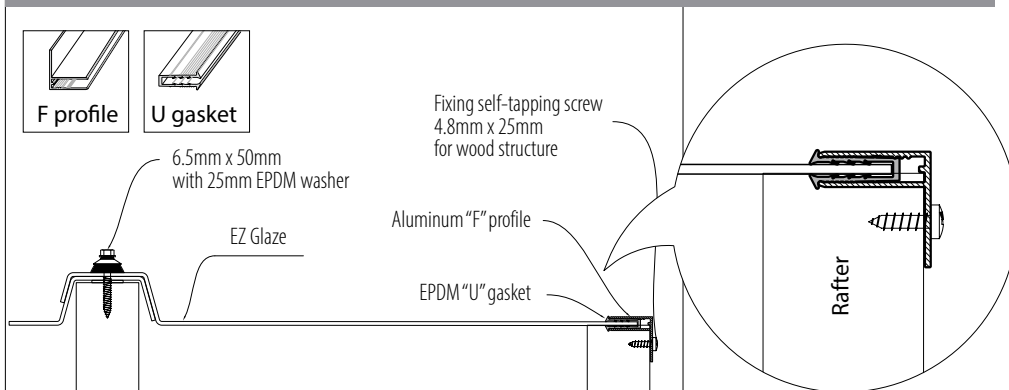
Installation - Finishing

! Side wall finish when the panel is trimmed (purchased separately)

Installation to side wall



Installation with no side wall



PALRAM H.Q.
Tel: +972 4 8459900
Fax: +972 4 8444012
palram@palram.com
www.palram.com

PALRAM EUROPE LTD.
Tel: +44 1302 380777
Fax: +44 1302 380788
sales.europe@palram.com

PALRAM SOUTH AFRICA
Tel: +27 11 8731581
Fax: +27 11 8731814
sales.africa@palram.com

